



OPERATING PROCEDURE FOR LCI EZ BEDLIFT

WARNING!

FAILURE TO ACT IN ACCORDANCE WITH THE FOLLOWING MAY RESULT IN SERIOUS PERSONAL INJURY OR DEATH.

ALWAYS MAKE SURE THAT THE EZ BEDLIFT PATH IS CLEAR OF PEOPLE AND OBJECTS BEFORE AND DURING OPERATION OF THE SLIDEOUT ROOM.

ALWAYS KEEP AWAY FROM THE BEDLIFT RAILS WHEN THE ROOM IS BEING OPERATED. THE CHAIN ASSEMBLY MAY PINCH OR CATCH CAUSING PERSONAL INJURY.

INSTALL LOCK PINS ON THE EZ BEDLIFT DURING STORAGE AND TRANSPORTATION.



Fig. 1 - Key Switch



Fig. 2 - Momentary Switch

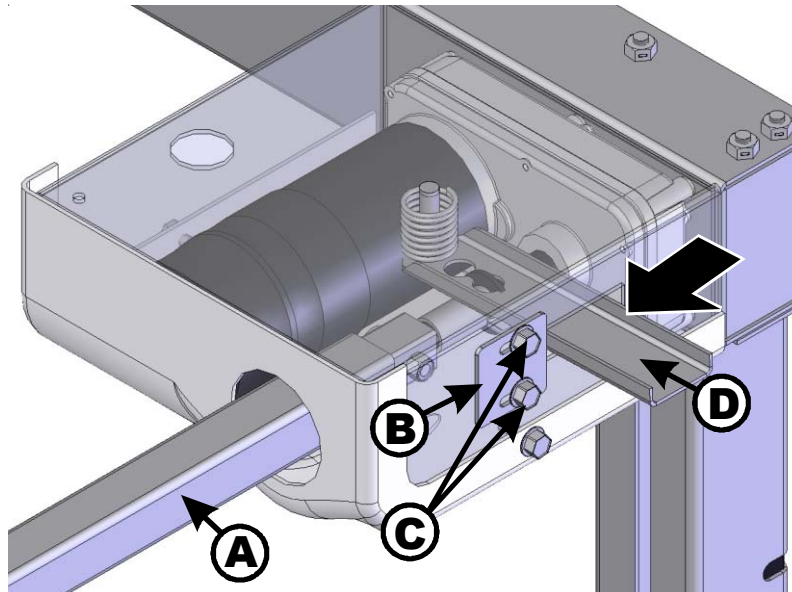
To operate EZ BEDLIFT:

1. Park and level the unit.
2. Verify the battery is fully charged and hooked-up to the electrical system.
3. Remove the Lock Pins.
4. Turn key in Key Switch (Fig. 1) COUNTERCLOCKWISE or press and hold the Switch (Fig. 2) in the DOWN position until the beds are lowered into final location and stops moving.
5. Release the key or the switch.
6. To move the beds back up into TRAVEL or STORAGE position turn key in key switch CLOCKWISE or press the UP position on the momentary switch until beds reach the desired location.
7. Release the key or the switch.
8. Replace Lock Pins for travel and storage.

NOTE: Both KEY SWITCH and MOMENTARY SWITCHES are spring loaded and will return to the OFF position when released.



MANUAL OVERRIDE PROCEDURE FOR LCI EZ BEDLIFT



1. Prior to Manual Operation, be sure to clear any obstruction from the bed area that may impede the lowering or raising of the bed assembly, including any transit bars.
2. Locate Bed Lift Motor above assembly.
3. Remove screws (C), seen in diagram above. Remove Stop Plate (B).
4. Pull Locking Lever (D) in the direction of the arrow. This disengages the gears in the motor/gear assembly.
5. Place an adjustable wrench on the Outer Drive Tube and turn drive tube counterclockwise to lower the bed and clockwise to raise the bed. The Locking Lever must be held in the open position until the EZ Bedlift is in it's desired location.
6. When the EZ Bedlift has been manually operated to it's desired location, release Locking Lever and replace the Stop Plate to it's previous position.

Note: Remember to replace transit bars (if equipped) before moving the coach.